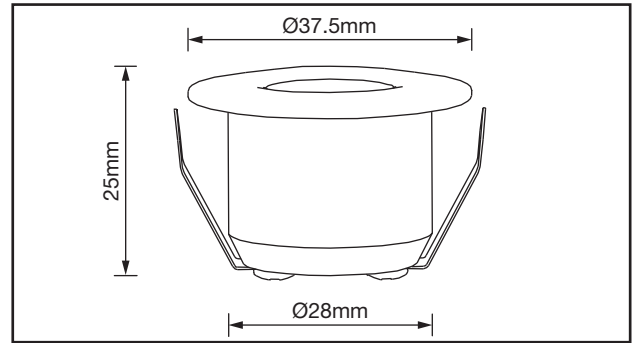


AML12V

1W 12V Marker Light

PRODUCT FEATURES

- 5 Year Guarantee
- Dimmable When Used With Our 12V CV Dimmable LED Drivers
- Available In Polar White, Carbon Black And Aluminium Finishes
- Quality Aluminium Construction
- 1.5M Pre-Wired Cable
- Prismatic Lens
- Max. DC Loom Length 20m (0.75mm² Cable)
- Load:
 - 1...20 PCS x 1W LED (ADRCV1225TD) Dimmable Option
 - 1...20 PCS x 1W LED (ADRCV1230) Non-Dimmable Option



TECHNICAL SPECIFICATIONS

Code	AML12V/**/30	AML12V/**/40
Luminous Flux (LM)	≤90lm	≤110lm
Useful Luminous Flux (LM)	≤80lm	≤100lm
CCT (Kelvin)	3000K	4000K
Beam Angle (°)	36°	
SDCM	<6	
CRI	>80	
Peak Intensity (cd)	205cd	260cd
Operating Voltage (V DC)	12V DC	
Max Output Power (W)	1W	
Body Material	Aluminium	
Cut Out	28mm	
Frame Colour	Aluminium / Carbon Black / Polar White	
Ingress Protection	IP20	
Ambient Operating Temperature (°C)	-10°C ~ +40°C	
Guarantee	5 Years	
Dimmable	Yes With Dimmable Driver	
Cable Length	1.5M	
Lifetime (L70 B50)	25,000 Hrs	
Survival Factor	0.9	
Lumen Maintenance Factor	0.96	



Aluminium*
AML12V/AL/**



Carbon Black*
AML12V/BLK/**



Polar White*
AML12V/WH/**



*Sold Separately